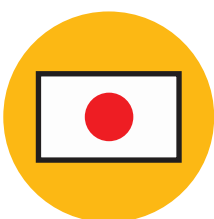


# WB18 TRACKDUMPER

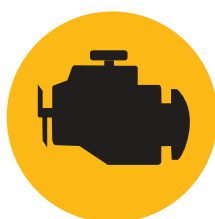
by **YAMAGUCHI**



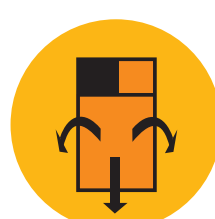
MADE IN JAPAN



PAYLOAD



KUBOTA DIESEL



3 WAY TIP

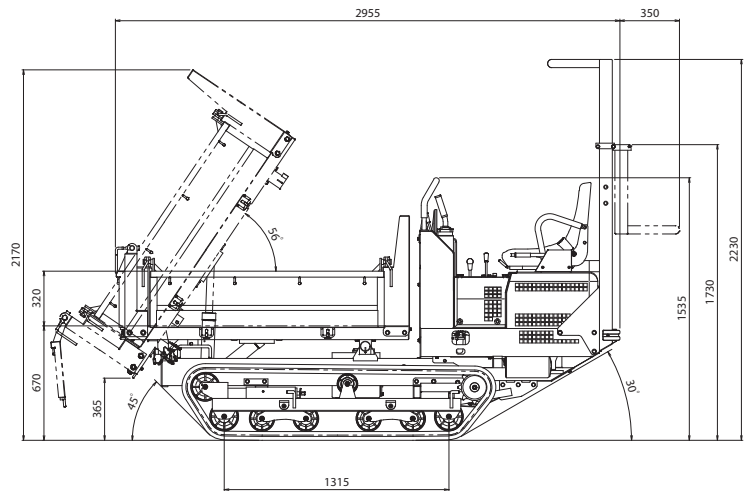


1330mm WIDE

Specifications

Make	TrackDumper by Yamaguchi
Model	WB18
Payload	1800kg
Unladen Weight	1200kg
Maximum Speed	7.4 KPH / 4.59 MPH
Engine Make & Model	Kubota D902
Engine Type	Two cylinder liquid cooled diesel
Engine Power	16.1 KW / 21.88 HP
Ground Pressure Empty	17.65 KPA / 2.56 PSI
Ground Clearance	195 mm
Fuel Type	Diesel

**WB18**  
**TRACKDUMPER**  
by **YAMAGUCHI**



Dimensions

Overall Length	2955 mm
Overall Width	1330 mm
Overall Height	2230mm
Track Centres	950 mm
Track Width	280 mm
Dump Body Length Internal	1660 mm
Dump Body Width Internal	1200 mm

