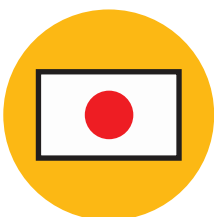


MOROOKA MST 1500VDR



MADE IN JAPAN



PAYLOAD



360° ROTATION



CUMMINS DIESEL



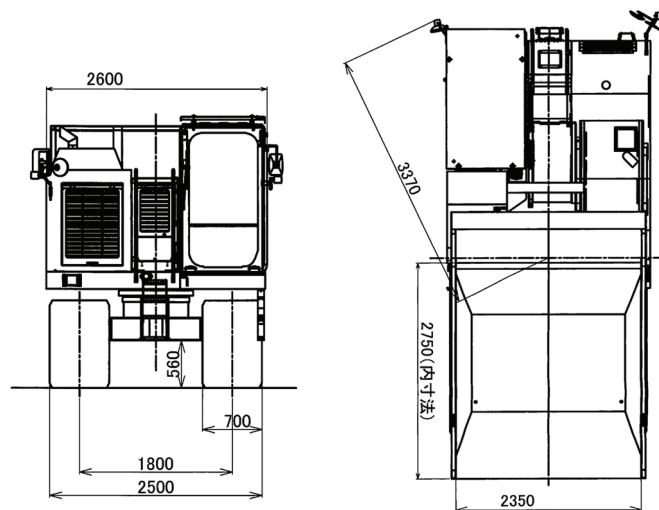
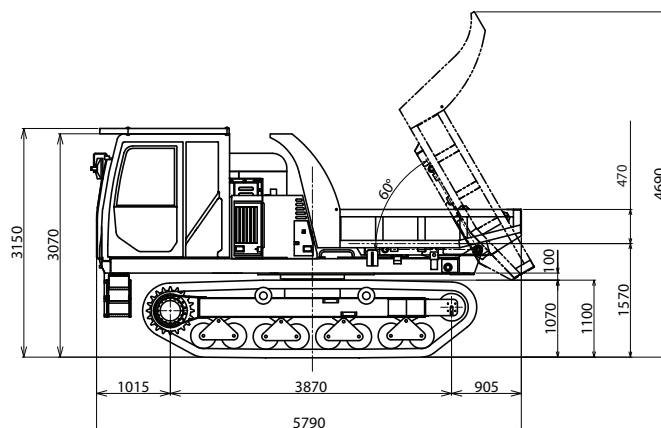
TRACK WIDTH

Specifications

Make	Morooka
Model	MST 1500VDR
Payload	7000kg
Unladen Weight	11500kg
Maximum Speed	8.6 KPH
Engine Make & Model	Cummins QSB 6.7 T4F
Engine Type	Vertical water cooled 4 cycle diesel
Engine Power @ 2200rpm	168 KW / 225 HP
Ground Pressure Empty	0.27 KG Force/cm ²
Ground Clearance	560 mm
Fuel Type	Low Sulphur Diesel

MOROOKA

MST 1500VDR



Dimensions

Overall Length	5690 mm
Overall Width	2600 mm
Overall Height	3230 mm
Track Centres	1800 mm
Track Width	700 mm
Dump Body Length Internal	2750 mm
Dump Body Width Internal	2350 mm

